

INSTALLER'S GUIDE

88-MACC003-1A-EN

ALL phases of this installation must comply with
NATIONAL, STATE, AND LOCAL CODES

Model:
MAYOSAH001A

Used With:
M4PG4*

25% Manual Fresh Air Kit

IMPORTANT - This document is customer property and is to remain with this unit. Please return to service information pack upon completion of work.

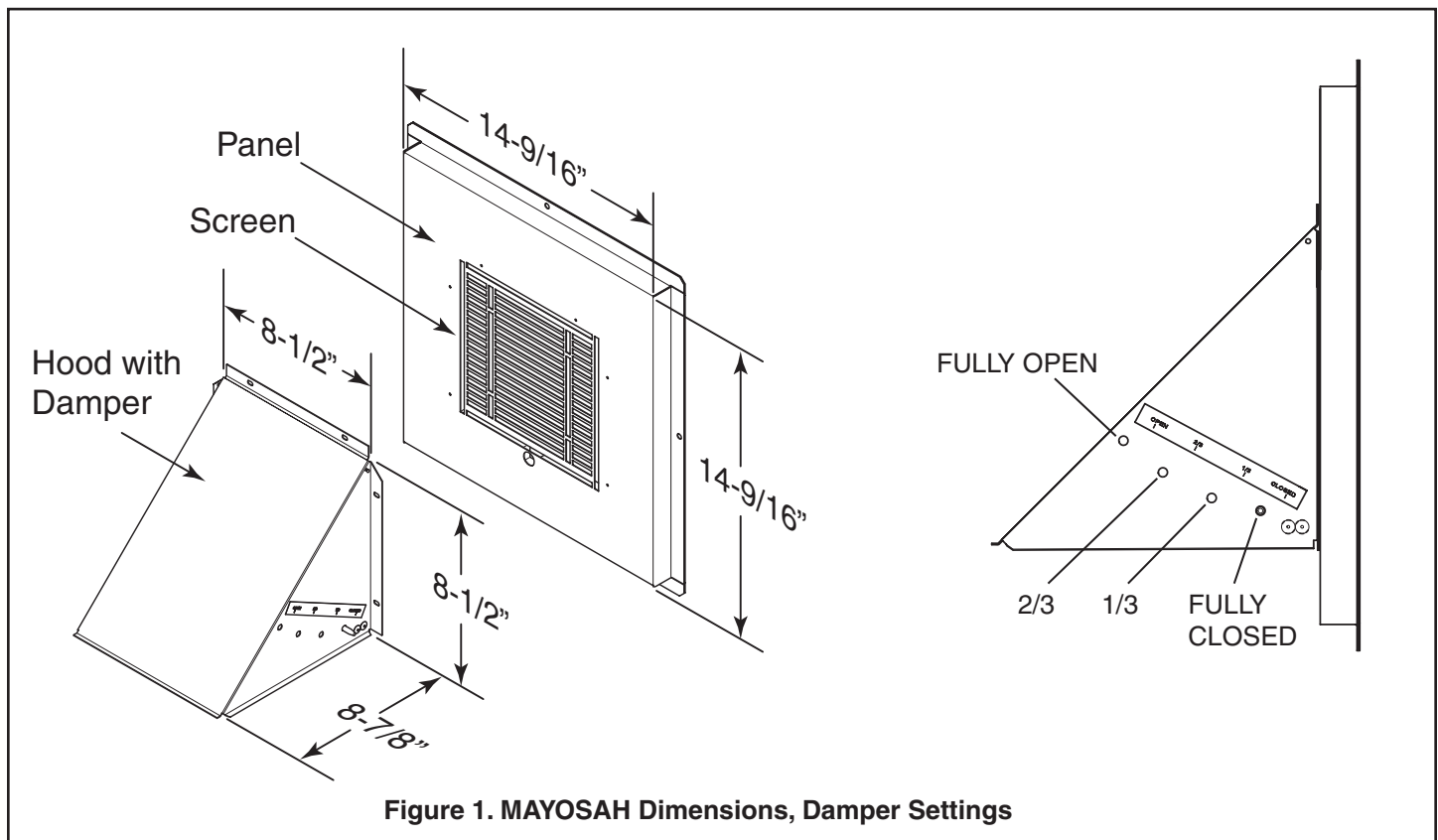


Figure 1. MAYOSAH Dimensions, Damper Settings

A. INSTRUCTIONS

These instructions are organized for an easy step-by-step installation procedure.

The MANUAL OUTSIDE AIR INTAKE PACKAGE can be used on applications with vertical or horizontal return duct.

Note:

These instructions do not purport to cover all variations in systems nor to provide for every possible contingency to be met in connection with installation. Should further information be desired or should particular problems arise which are not covered sufficiently for the purchaser's purposes, the matter should be referred to the manufacturer.

Check for transportation damage after package is unpacked. Report promptly to carrier, and damage found to the kit.

B. GENERAL INFORMATION

When selecting damper position, follow all applicable codes for outside air / fresh air intake requirements.

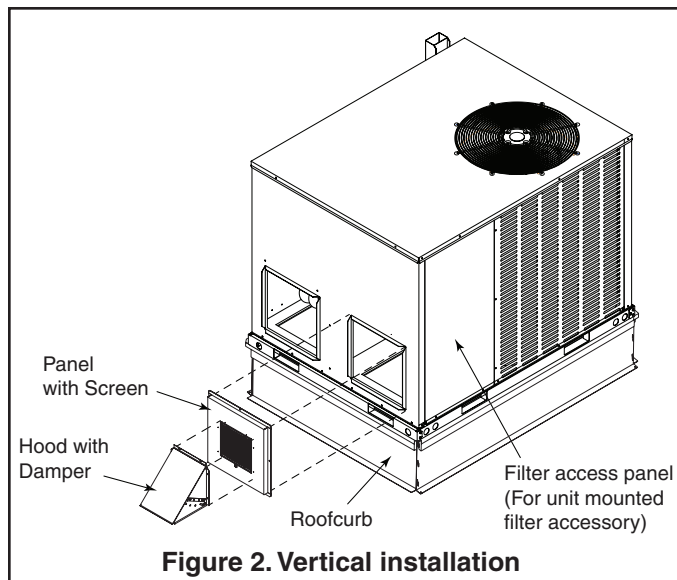
The amount of outside air introduced to the space will be dependent on the damper position and the system's return duct static pressure.

INSTALLER'S GUIDE

C. VERTICAL RETURN DUCT APPLICATION

In this application the return duct cover supplied with the unit should be discarded. The vertical return air opening in the unit should be uncovered.

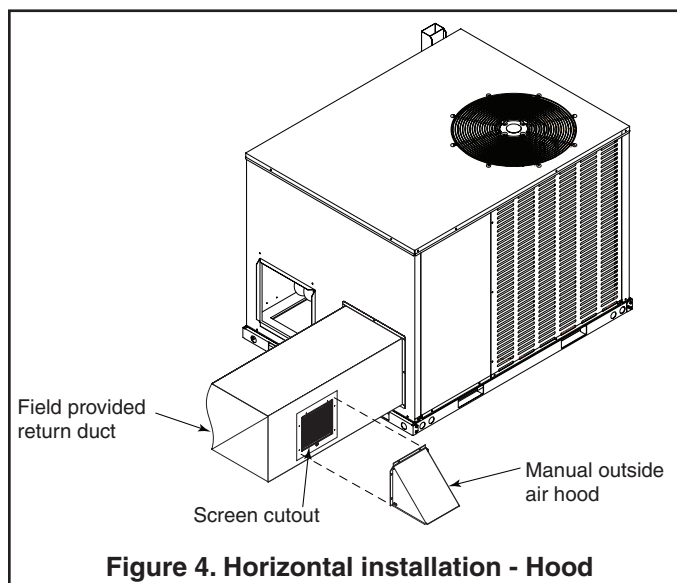
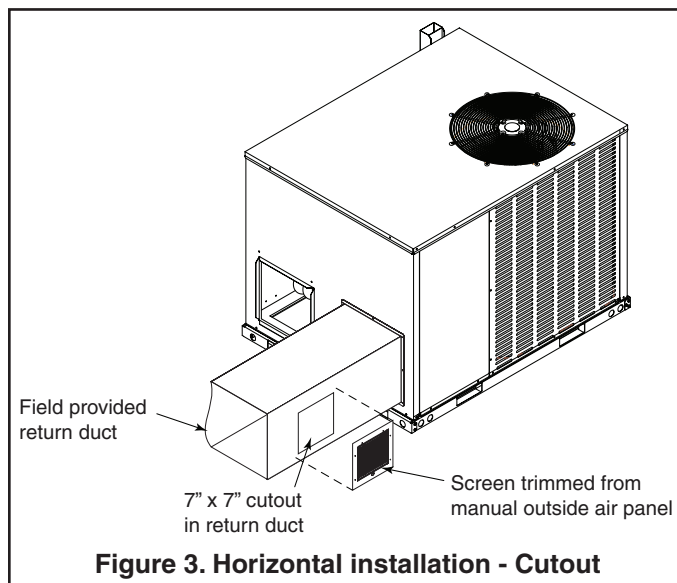
1. Set the unit in place on optional roofcurb or other support. Install duct per instruction provided with unit.
2. Install provided 1/8" gasket on mating flanges of manual outside air panel.
3. Install the manual outside air panel over the horizontal return opening in the unit. See Figure 2.
4. Screw panel to unit through pre-punched holes in panel and unit using (4) #10 self-drilling screws provided.
5. Install provided 1/8" thick gasket on 3 perimeter mating flanges on hood.
6. Set hood over screen in panel, align holes and screws hood to panel using provided #10 self-drilling screws. See Figure 2.
7. Set damper position in hood using spring latch to meet outside air requirements. See Figure 1.



D. HORIZONTAL RETURN DUCT APPLICATION

In this application the return duct cover supplied with the unit should be installed on the base of the unit covering the bottom return opening. The horizontal return air duct opening should be uncovered.

1. Install field provided horizontal return air duct onto the unit. See Figure 3. Follow unit instructions for duct sizing.
2. Snip out the screen from the manual outside air panel.
3. Cut a 7" x 7" opening in the side of the field provided duct. See Figure 3.
4. Screw the screen from step 2 over the 7" x 7" cutout in return duct with provided #10 self-drilling screws.
5. Install provided 1/8" thick gasket on 3 perimeter mating flanges on hood.
6. Set hood over screen in panel, align holes and screws hood to panel using provided #10 self-drilling screws. See Figure 4.
7. Set damper position in hood using spring latch to meet outside air requirements. See Figure 1.



Ingersoll Rand
800-E Beaty Street
Davidson, NC 28036

The manufacturer has a policy of continuous product and product data improvement, and it reserves the right to change design and specification without notice.