

Installer's Guide

MAYFLTR101A Ameristar 1"-2" Filter Rack Kit

USED WITH:

Ameristar 2-5 Ton
M4PG4 Gas/Electric Only

Important: ALL phases of this installation must comply with NATIONAL, STATE, AND LOCAL CODES.

▲ SAFETY WARNING

Only qualified personnel should install and service the equipment. The installation, starting up, and servicing of heating, ventilating, and air-conditioning equipment can be hazardous and requires specific knowledge and training. Improperly installed, adjusted or altered equipment by an unqualified person could result in death or serious injury. When working on the equipment, observe all precautions in the literature and on the tags, stickers, and labels that are attached to the equipment.

Instructions

These instructions are organized for an easy step-by-step procedure.

⚠ WARNING

HAZARDOUS VOLTAGE!

Failure to follow this Warning could result in property damage, severe personal injury, or death. Disconnect all electric power, including remote disconnects before servicing. Follow proper lockout/tagout procedures to ensure the power cannot be inadvertently energized.

The filter kit is to be field installed inside the packaged Ameristar unit, and is designed to work with either vertical or horizontal duct applications. Filters are field provided and installed. The kit works with either 1" or 2" throw away filters.

Filters required (not supplied):

- (1) 16" x 20" and (1) 20" x 20" Filter

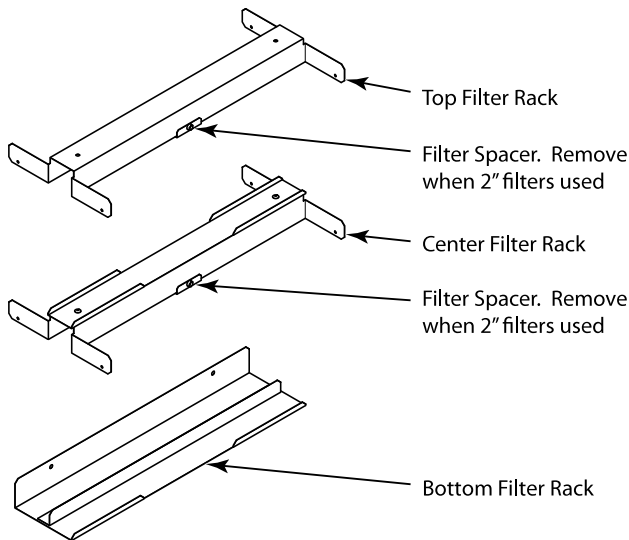
Note: These instructions do not purport to cover all variations in system nor to provide for every possible contingency to be met in connection with the installation. Should further information be desired or should particular problems arise which are not covered sufficiently for the purchaser's purposes, the matter should be referred to the manufacturer.

Check for transportation damage after kit is unpacked. Report promptly to carrier, any damage found to kit.

The kit consists of (3) main components:

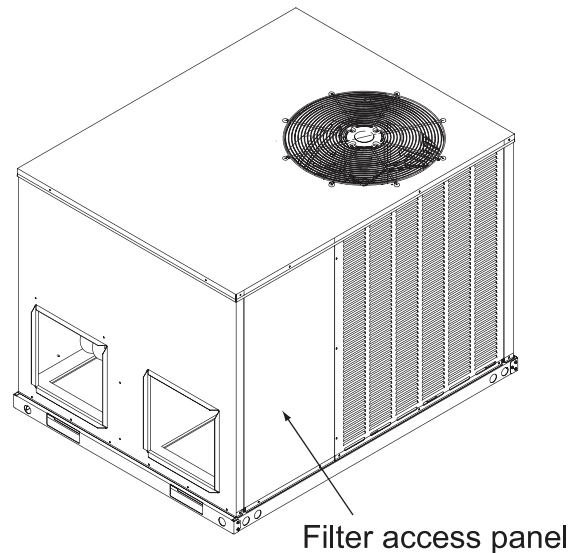
- Bottom filter rack
- Center filter rack
- Top filter rack

Figure 1. Filter Kit Components



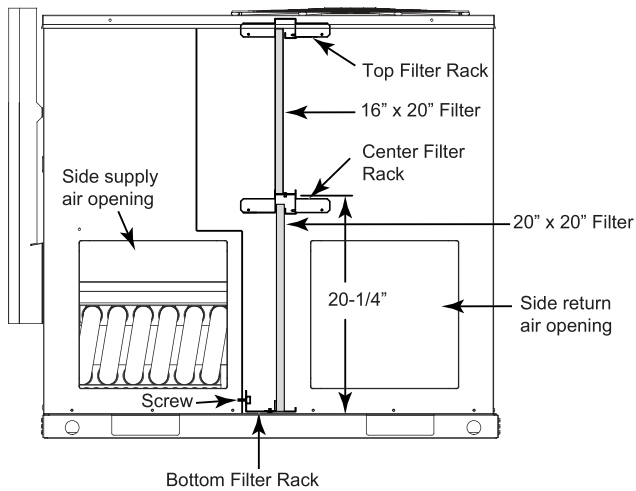
1. Disconnect all power sources to the Ameristar packaged unit.
2. Remove the filter access panel. Set panel aside for later re-installation. See Figure 2.

Figure 2. Panel Removal



3. The filter racks fit tightly inside the cabinet. Use care not to damage unit insulation when installing filter racks.
4. Place the bottom filter rack into the cabinet and slide up against the unit panel. The bottom filter rack will rest directly on the base. Using screws provided, screw through the pre-punched holes in the back flange of the filter rack and into unit panel. See Figure 3.
5. To make sure the center and top filter rack are aligned with the bottom rack, use a marker and draw a vertical line on the unit insulation, starting from the edge of the bottom rack all the way up to the top of the unit. Draw this line on both the left and right sides of the bottom rack. See Figure 3.
6. Measure up 20 1/4" vertically from the bottom rack to locate the center filter rack. The rack can be held in place by itself when squeezed in place. Using screws provided, screw through the pre-punched holes in the center rack and into the unit on both sides. See Figure 3.

Figure 3. Filter Rack Locations



7. Install the top filter rack at the very top of the unit, in line with the bottom and center filter racks. Using screws provided, screw through pre-punched holes in the top filter rack and into the unit on both sides. See figure 3.
8. The screws installed through the top and center filter racks and through the outside panel of the unit, are now exposed and sharp. One at a time, these screws should be removed from the inside of the unit and reinstalled from the outside of the unit.

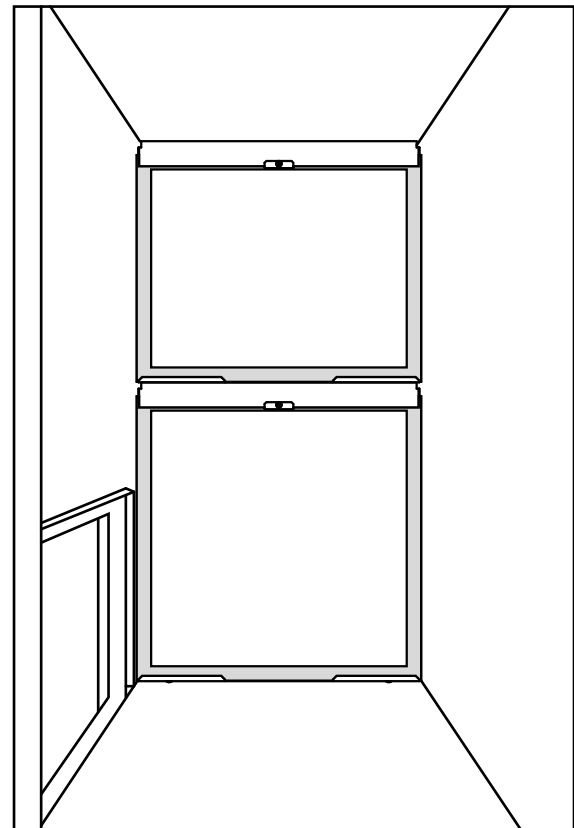
Note: After the screws have been reinstalled, cover the screw threads with caulk. This will minimize the risk of getting injured by one of the screws.

9. Carefully install the field supplied (1) 16" x 20" filter in the top section and the (1) 20" x 20" filter in the bottom section. See Figures 3 and 4. Note: if using 2" filters, remove the filter spacers shown in Figure 1.

Note: It is normal for the filter to fit very tightly against the insulation inside the cabinet.

10. Reinstall the filter access panel that was removed in step 2.

Figure 4. View looking into unit with filter access panel removed and filters in place



Ingersoll Rand (NYSE:IR) advances the quality of life by creating comfortable, sustainable and efficient environments. Our people and our family of brands—including Club Car®, Ingersoll Rand®, Thermo King® and Trane®—work together to enhance the quality and comfort of air in homes and buildings; transport and protect food and perishables; and increase industrial productivity and efficiency. We are a global business committed to a world of sustainable progress and enduring results. For more information, visit www.ingersollrand.com.

Ingersoll Rand has a policy of continuous product and product data improvements and reserves the right to change design and specifications without notice.

©2016 Ingersoll Rand All rights reserved

88-MACC005-1A-EN 11 Oct 2016

Supersedes (New)

