

Installer's Guide

Start Control Kit

BAYKSKT267

⚠ WARNING: HAZARDOUS VOLTAGE – DISCONNECT POWER BEFORE SERVICING

ALL phases of this installation must comply with NATIONAL, STATE AND LOCAL CODES

IMPORTANT—This Document is customer property and is to remain with this unit. Please return to service information pack upon completion of work.

NOTE: THIS KIT AND EXTERNAL ENCLOSURE BOX04083 MUST BE PURCHASED TOGETHER UNLESS BAYLOAM108 (LOW AMBIENT KIT) IS ALSO BEING INSTALLED ON UNIT.

START CONTROL KIT CONTENTS:

No.	Qty.	Description
1	1	Start Capacitor
2	1	Relay
3	1	Capacitor Strap
4	1	#6-20 Self-drilling Screw
5	2	#10-16 Self-drilling Screw
6	1	Installer's Guide
7	1	Warning Label

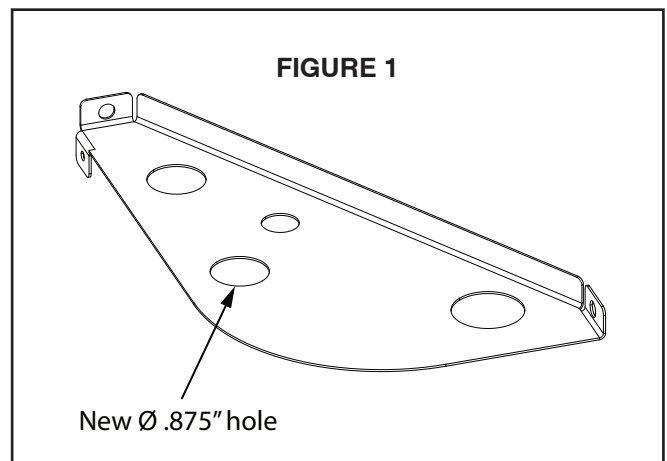
INSPECTION:

Check carefully for any shipping damage. This must be reported to and claims made against the transportation company immediately. Any missing parts should be reported to your supplier at once and replaced with authorized parts only.

INSTALLATION:

Mounting Start Control Kit Components

1. Be certain power to unit is DISCONNECTED.
2. Remove cover panel on unit control box compartment.
3. Locate the unit control box bottom and mark the hole position in the approximate location as shown in Figure 1.
4. Using a .875" drill bit, drill a hole through the unit control box bottom. Make sure not to damage any wiring or components. Deburr the drilled hole and remove any unwanted material.

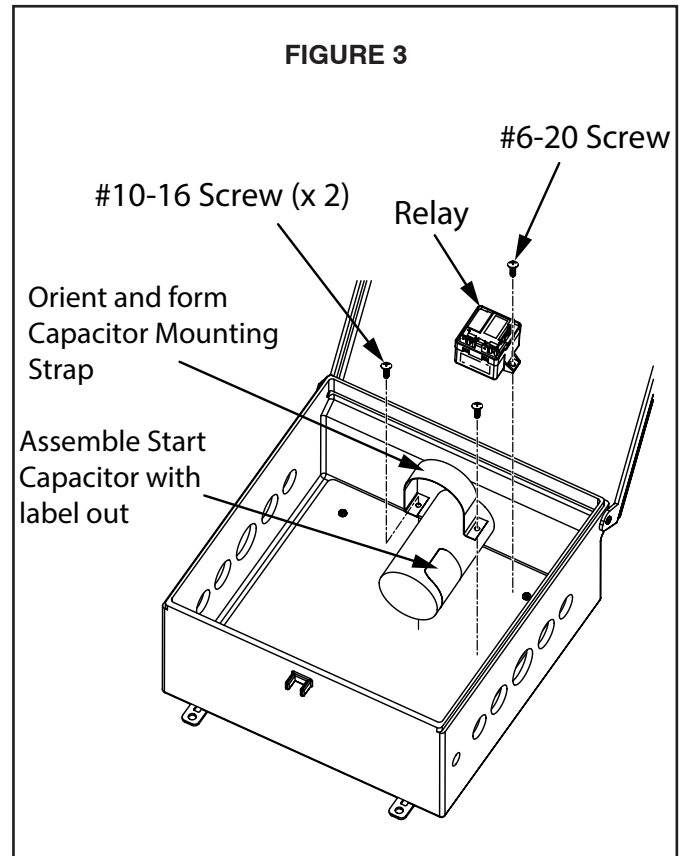
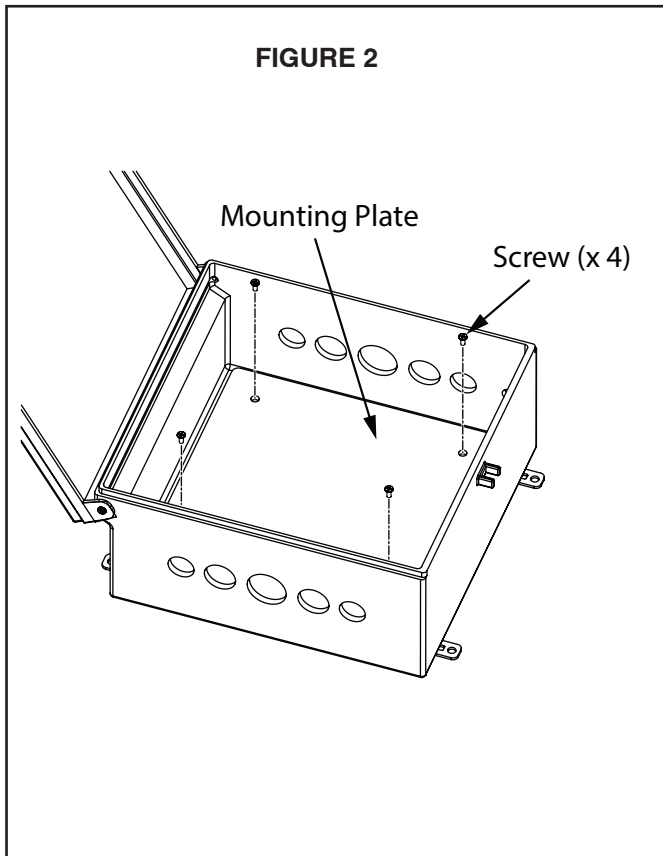


Installer's Guide

5. Open Start Control Kit and remove kit contents.
6. If the enclosure has not previously been installed with BAYLOAM108 (low ambient kit), proceed to step 7. If the enclosure has already been installed, skip to step 10.
7. Mount the enclosure with field-provided screws to the side of the house or structure such that the distance between the unit control box and the external enclosure is minimized as much as possible.

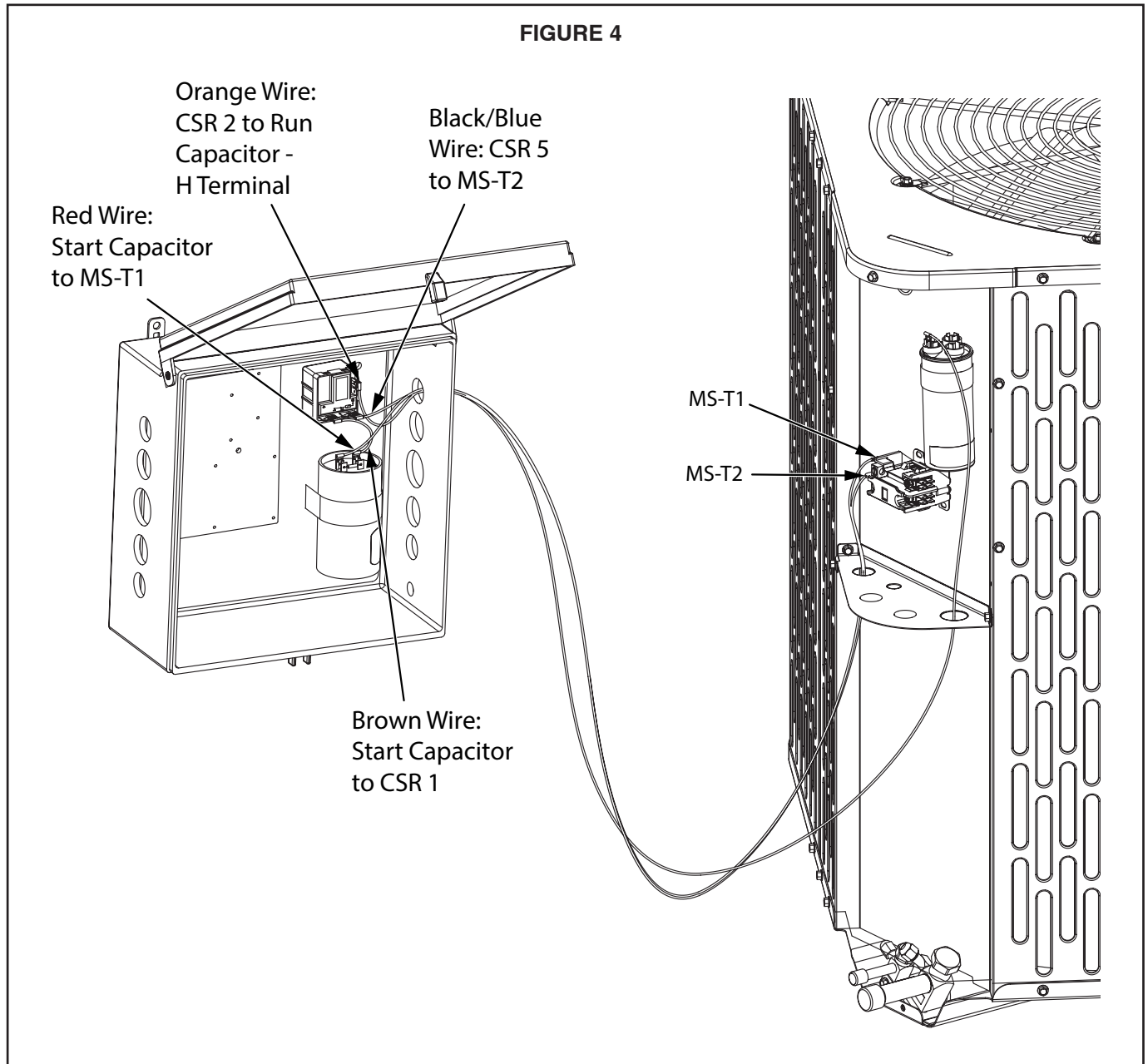
NOTE: Due to the multitude of potential structure materials, the screws needed for mounting enclosure to structure will be field-provided.

8. Secure the mounting plate inside of box using four of the enclosure provided screws as shown in Figure 2.
9. Knock or drill out one of the enclosure cutouts to route the 1/2" conduit.
10. Using the #6-20 and #10-16 self-drilling screws provided, secure the relay and capacitor in the approximate locations as shown in Figure 3.



Wiring Start Control Kit Components

1. Connect the color coded start control wires with quick connect $\frac{1}{4}$ " flag terminals to the contactor and capacitor as illustrated in Figure 4.
2. Route all three high voltage wires through field-supplied $\frac{1}{2}$ " conduit.
3. Secure field-supplied liquid tight conduit fittings at enclosure and control box entries.
4. Attach the warning label to the enclosure cover. This label provides a warning for hazardous voltage.
5. Re-connect power, which was disconnected in Step 1.



About Trane and American Standard Heating and Air Conditioning

Trane and American Standard create comfortable, energy efficient indoor environments for residential applications. For more information, please visit www.trane.com or www.americanstandardair.com

The manufacturer has a policy of continuous data improvement and it reserves the right to change design and specifications without notice. We are committed to using environmentally conscious print practices.