

TAG: \_\_\_\_\_

# SUBMITTAL

## 15 SERIES

### Single Zone Mini-Split Inverter System

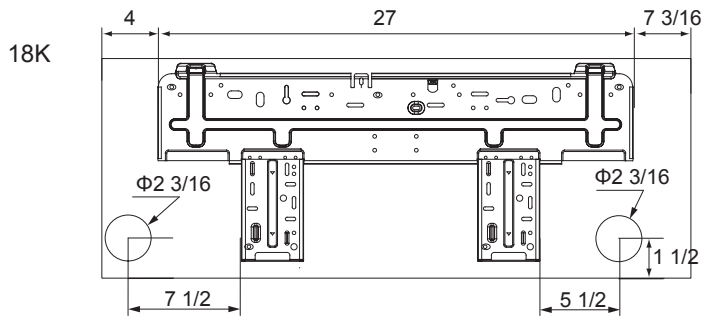
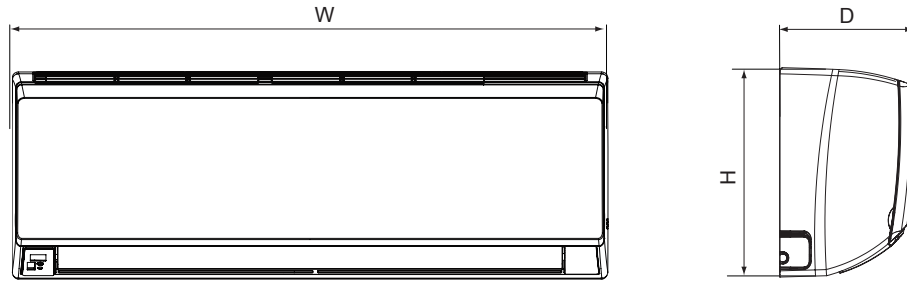
M4MCW1518A1N0B  
M4TCS1518A11NB

## Specifications

MODEL - Cooling Only	M4MCW1518A / M4TCS1518A
RATED Volts/PH	208 / 230 / 1
Frequency (Hz)	60Hz
Rated Cooling Capacity (Btu/h):	18000
Minimum Cooling Capacity (@95F) (Btu/h):	7100
Maximum Cooling Capacity (@95F) (Btu/h):	20000
Total Capacity (W) (High/Standard/Low):	5800 / 5200 / 2100
Rated Power Input (W)	1800
Nominal Input Current (A)	8.0
SEER	15.0
Air Flow Volume (CFM) (SH/H/M/L)	470 / 400 / 340 / 280
Dehumidifying Volume (pt./h)	3.8
EER (Btu/W hr)	9.0
<b>Indoor Unit</b>	<b>M4MCW1518A1N0B</b>
Fan Motor Speed (r/min) (SH/H/M/L)	1350 / 1200 / 1050 / 900
Fan Motor RLA(A)	0.30
Evaporator	Aluminum Fin-Copper Tube
Pipe Diameter (inch)	2/7
Row Fin Gap (inch)	2 - 1/18
Coil length (L) x depth (D) x coil width (W) (inch)	28 1/7 x 1 x 12
Output of Swing Motor (W)	2.5
Fuse (A)	3.15
Sound Power Level dB (A)(SH/H/M/L)	56 / 52 / 49 / 45
Sound PRESSURE Level dB (A)(SH/H/M/L) ①	46 / 42 / 39 / 35
Uncrated Dimension (W/H/D) (inch)	38 1/5 x 11 4/5 x 8 5/6
Crated Dimension of Package (L/W/H) (inch)	41 x 15 x 12 3/5
Net Weight /Gross Weight (lbs)	29.8 / 36.4
<b>Outdoor Unit</b>	<b>M4TCS1518A11NB</b>
Compressor Type	Rotary
Compressor Oil	RB68EP (POE Oil)
L.R.A. (A)	16.5
Compressor RLA(A)	12.08
Compressor Power Input(W)	1440
Throttling Method	Capillary
Working Temp Range (°F)	0 - 115
Condenser	Aluminum Fin-Copper Tube
Pipe Diameter (inch)	2/7
Row Fin Gap (inch)	1 - 1/18
Coil length (L) x depth (H) x coil width (W) (inch)	34 5/7 x 6/7 x 26
Fan Motor Speed (rpm)	800
Output of Fan Motor (W)	60
Fan Motor RLA (A)	0.52
Air Flow Volume of Outdoor Unit (CFM)	1883
Fan Diameter (inch)	20 1/2
Defrosting Method	Automatic Defrosting
Sound Power Level dB (A)	66
Sound PRESSURE Level dB (A) ①	56
Uncrated Dimension (W/H/D) (inch)	37 3/5 x 27 5/9 x 15 3/5
Crated Dimension of Package (L/W/H) (inch)	40 1/2 x 18 x 29 1/2
Net Weight /Gross Weight (lbs)	90.4 / 100.3
Refrigerant Charge (oz)	35.3
MCA	16.0
MOP	25.0
<b>Connection Pipe</b>	
Gas additional charge(oz/ft)	0.2
Outer Diameter Liquid Pipe (inch)	1/4
Outer Diameter Gas Pipe (inch)	1/2
Max Height Distance (ft)	65
Max Length Distance (ft)	130

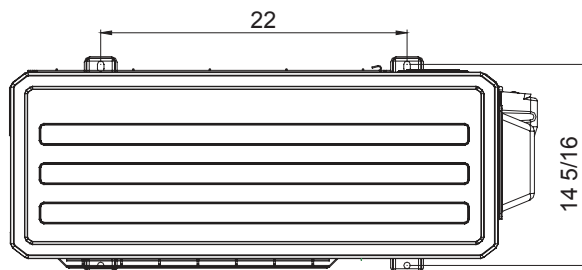
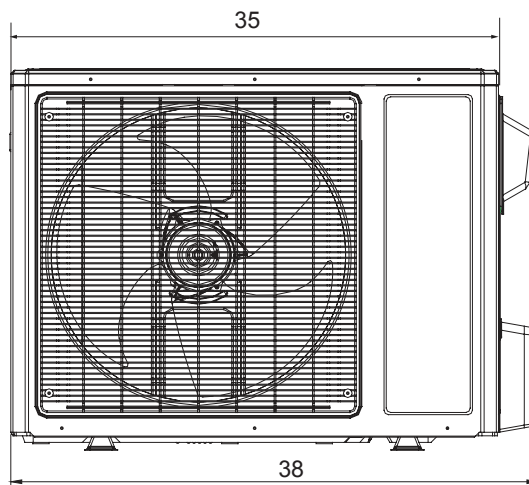
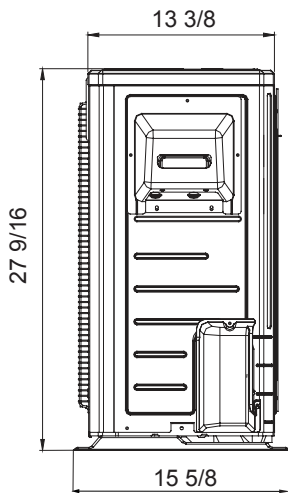
① Sound PRESSURE Level @ 3.3 ft. dB(A)

# Unit Dimensions



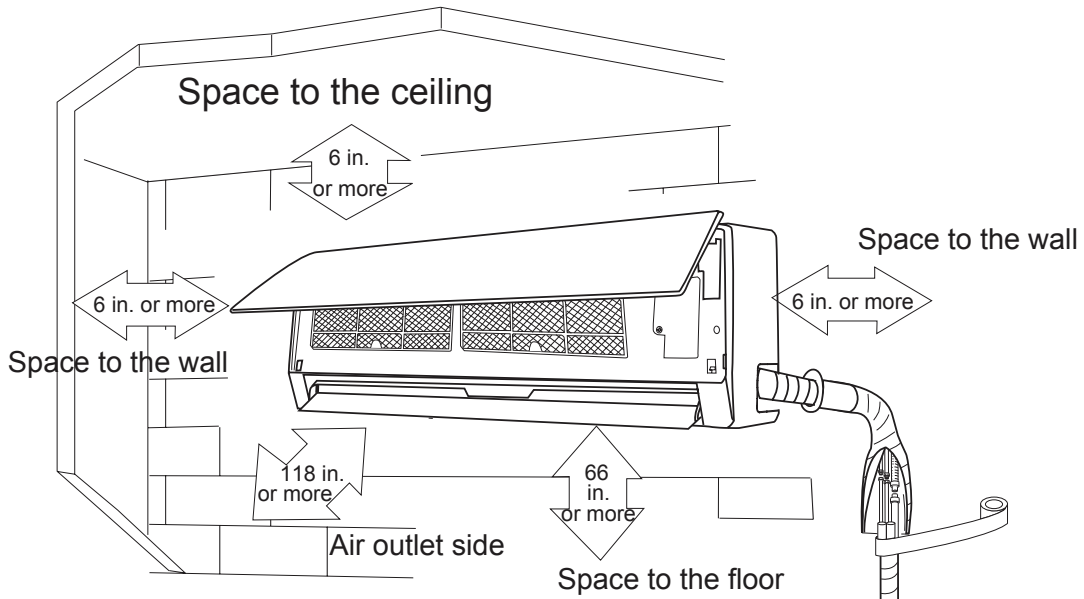
Unit: inch

Models	W	H	D
18K	38 1/4	11 13/16	8 7/8
24K	42 1/2	12 13/16	9 11/16

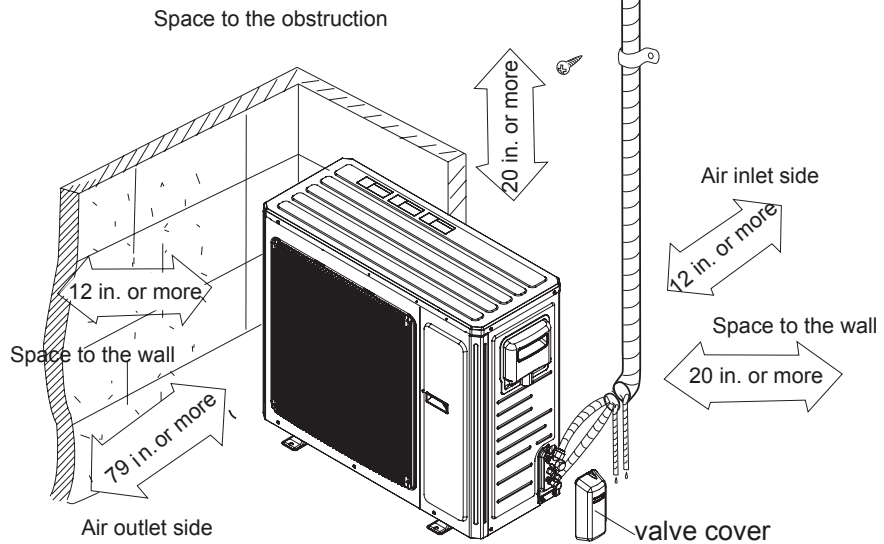


Unit: inch

# Clearance Requirements



The dimensions of the space necessary for correct installation of the appliance including the minimum permissible distances to adjacent structures



**NOTE:**

The maximum recommended height from the floor to the bottom of the indoor unit is 11.5 ft. (3.5 m).

Air Velocity Patterns for High Wall		
Max Horizontal Distance		
Unit: ft. (m)		
Model	Cooling Mode	Heating Mode
4MYW1618	30.2 (9.2)	N/A

# Performance Data

Cooling Capacity 18,000 (Btu/h)  
M4MCW1518A1/M4TCS1518A

Outdoor Ambient Air Temperature (°F)	Indoor Entering Air Temperature (Dry Bulb/Wet Bulb)							
	68/57°F		73/61°F		80/67°F		82/68°F	
	TC*	SHC**	TC	SHC	TC	SHC	TC	SHC
0	9500	7400	9900	7700	11200	8800	11900	9300
10	11200	8800	11900	9300	13400	10500	13800	10800
20	12700	10000	13600	10600	15500	12100	15900	12500
30	13500	10600	14400	11300	16500	13000	17000	13400
40	14100	11000	15000	11800	17200	13500	17700	13900
50	14600	11500	15700	12300	17900	14100	18500	14500
60	16100	12600	17200	13500	18800	14800	19400	15200
70	18000	14100	19100	15000	20400	16000	21000	16500
80	17500	13700	18600	14600	20100	15700	20700	16200
90	16500	12900	17300	13600	19300	15100	19900	15600
100	15600	12200	15900	12500	18000	14100	18500	14500
110	14700	11500	15200	11900	16600	13000	17100	13400
120	13800	10900	14600	11400	15200	11900	15600	12300

\*Total Capacity \*\*Sensible Heat Capacity

Capacities in these performance tables reflect normal operation at the temperatures indicated. See specification tables above for certified values under prescribed test conditions.

# Mechanical Specifications

## Mini-Split Outdoor Unit

### General

This unit is fully charged from the factory for up to 25 feet of piping. This unit is designed to operate at outdoor ambient temperatures as high as 115°F. Cooling capacities with the mini-split air handler shown in the catalog are AHRI certified. The unit is ETL listed for outdoor application.

### Unit Casing

The unit casing is constructed of heavy gauge, galvanized steel and painted with a weather-resistant powder paint.

## Mini-Split Indoor High Wall

### General

The High Wall mounted type air handler shall be completely factory assembled including coil, condensate drain pan, fan motor, washable filter, air purifying filter and electric controls to be used with a wireless remote controller. Unit shall be shipped with a unit mounting plate. Unit shall be matched with an outdoor unit, rated and tested in accordance with AHRI standard. Unit shall be ETL listed.

### Unit Casing

Casing shall be provided with knockouts on the right, and left of the unit to facilitate piping and electrical connection on either side of the unit. An electrical service cover shall be provided to permit easy access to the electrical terminal strip.

### Refrigerant Controls

Refrigeration system controls include condenser fan and compressor relay. High and low pressure controls are inherent to the compressor. A suction line multi function service valve is standard

### Compressor

The compressor features internal over temperature and pressure protection; total dipped hermetic motor windings. Other features include: centrifugal oil pump and low vibration and noise.

### Discharge Airflow and Distribution System

Unit shall have auto swing, dual horizontal blades to optimize the aperture outlet for vertical airflow and air distribution. Blade shall close automatically when the air conditioner is turned off to minimize dust entering the unit. Five-Step preset program on the remote controller shall be available to control the blade angle.

Manually adjusted wide-angle louvers shall be provided to adjust the coverage and direction of airflow.

### Controls

Units shall have the capability to be controlled remotely through wall-mounted wired options (**sold separately**) as well as a wireless remote option.

### Condenser Coil

The coil shall consist of aluminum finned coils brazed to copper tubing. The coil provides air flow resistance and efficient heat transfer. The coil is protected by the casing.

### Low Ambient Cooling

Matched ductless products, have cooling capabilities at outdoor ambient temperatures as low as 0° F.

### Remote Controller

The unit shall have a wireless infrared remote controller with easy reading digital display panel to start, stop and regulate the air conditioner from a distance.

The wireless controller is available for all units.

### Healthy Filters

The unit shall have an active carbon and catechin filter with the unit. The filters need to be cleaned at least once a year.

## About Trane and American Standard Heating and Air Conditioning

Trane and American Standard create comfortable, energy efficient indoor environments for residential applications. For more information, please visit [www.trane.com](http://www.trane.com) or [www.americanstandardair.com](http://www.americanstandardair.com)



The AHRI Certified mark indicates company participation in the AHRI Certification program. For verification of individual certified products, go to [ahridirectory.org](http://ahridirectory.org).

The manufacturer has a policy of continuous data improvement and it reserves the right to change design and specifications without notice. We are committed to using environmentally conscious print practices.