

TAG: _____

SUBMITTAL

17 SERIES

Single Zone Mini-Split Inverter System

M4MCW1712A1N0A
M4TCS1712A11NA

Specifications

MODEL - Cooling Only

M4MCW1712A / M4TCS1712A

RATED Volts/PH	208 / 230 / 1
Frequency (Hz)	60Hz
Rated Cooling Capacity (Btu/h):	11700
Minimum Cooling Capacity (@95F) (Btu/h):	2388.4
Maximum Cooling Capacity (@95F) (Btu/h):	13307
Total Capacity (W) (High/Standard/Low):	3700 / 3430 / 700
Rated Power Input (W)	1500
Nominal Input Current (A)	6.6
SEER	17
Air Flow Volume (CFM) ②	371/294/262/235/218/201/182
Dehumidifying Volume (pt./h)	2.96
EER (Btu/W hr)	9.25

Indoor Unit

M4MCW1712A1N0A

Fan Motor Speed (r/min)	1350/1200/1120/1050/980/920/850
Fan Motor RLA(A)	0.31
Evaporator	Aluminum Fin-Copper Tube
Pipe Diameter (inch)	1/5
Row Fin Gap (inch)	2 - 1/18
Coil length (L) x depth (D) x coil width (W) (inch)	25 x 0.9 x 12
Output of Swing Motor (W)	1.5
Fuse (A)	3.15
Sound Power Level dB (A) ②	55/52/49/47/45/41/40
Sound PRESSURE Level dB (A) ① ②	45/42/39/37/35/31/30
Uncrated Dimension (W/H/D) (inch)	33 1/4 x 11 3/8 x 8 2/9
Crated Dimension of Package (L/W/H) (inch)	35 40/64 x 14 29/64 x 11 9/64
Net Weight /Gross Weight (lbs)	22 / 26.5

Outdoor Unit

M4TCS1712A11NA

Compressor Type	Rotary
Compressor Oil	FW68DA or equivalent
L.R.A. (A)	-
Compressor RLA(A)	6.80
Compressor Power Input(W)	857
Throttling Method	Capillary
Working Temp Range (°F)	0 - 115
Condenser	Aluminum Fin-Copper Tube
Pipe Diameter (inch)	1/5
Row Fin Gap (inch)	1-3/64
Coil length (L) x depth (H) x coil width (W) (inch)	26.57 x 0.45 x 20.25
Fan Motor Speed (rpm)	900
Output of Fan Motor (W)	30
Fan Motor RLA (A)	0.4
Air Flow Volume of Outdoor Unit (CFM)	1950
Fan Diameter (inch)	15 3/4
Defrosting Method	-
Sound Power Level dB (A)	61
Sound PRESSURE Level dB (A) ①	51
Uncrated Dimension (W/H/D) (inch)	28.81 x 21.66 x 12.98
Crated Dimension of Package (L/W/H) (inch)	31.14 x 14.69 x 23.23
Net Weight /Gross Weight (lbs)	50.7/56.2
Refrigerant Charge (oz)	19.4
MCA	10
MOP	15.0

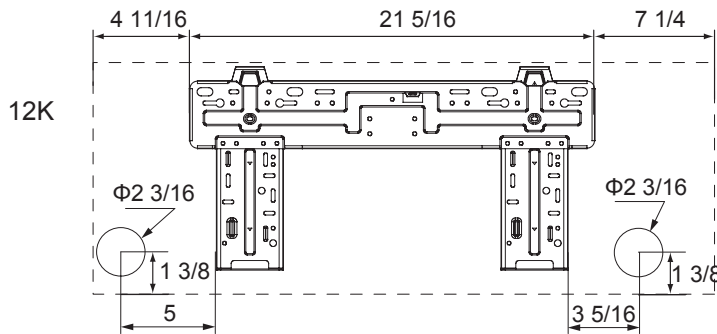
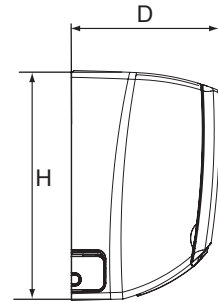
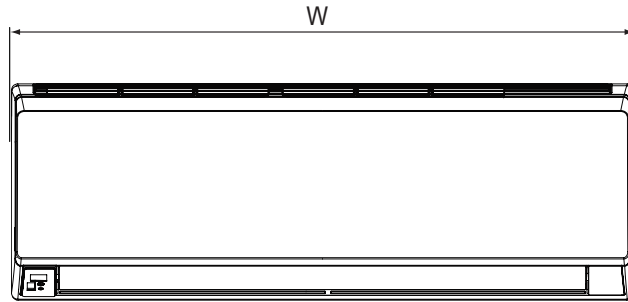
Connection Pipe

Gas additional charge(oz/ft)	0.161
Outer Diameter Liquid Pipe (inch)	1/4
Outer Diameter Gas Pipe (inch)	3/8
Max Height Distance (ft)	32.8
Max Length Distance (ft)	65.6

① Sound PRESSURE Level @ 3.3 ft. dB(A)

② At noted fan motor speeds

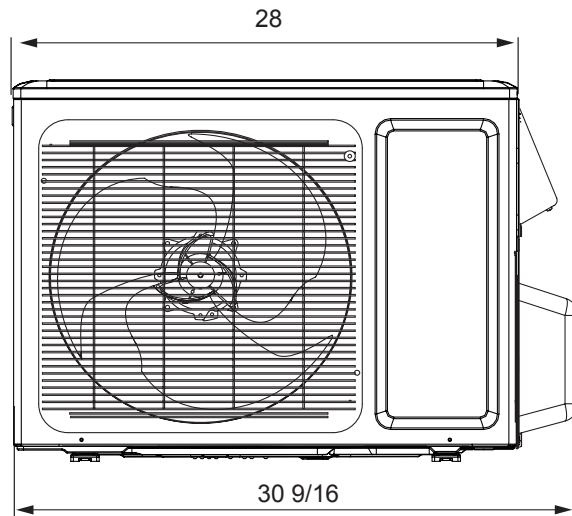
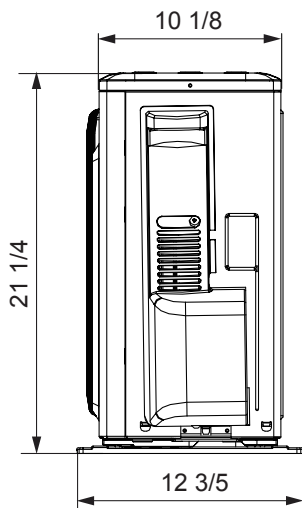
Unit Dimensions



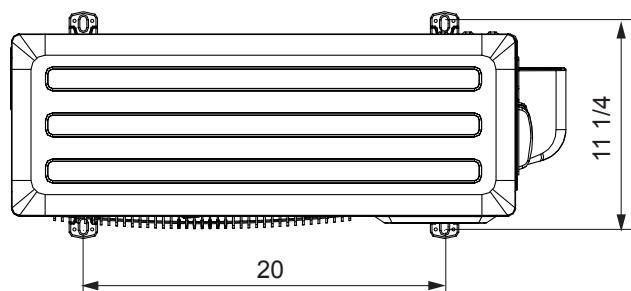
The dimensions in these drawings are rounded according to standard measurement.

Unit: inch

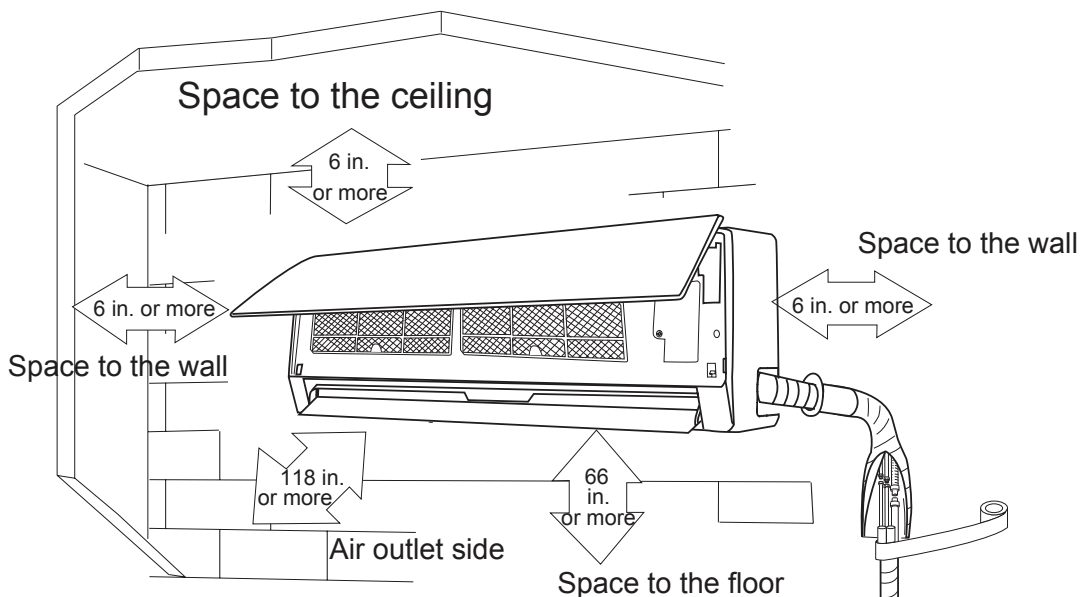
MODEL	W	H	D
12K	$33 \frac{1}{4}$	$11 \frac{3}{8}$	$8 \frac{1}{4}$



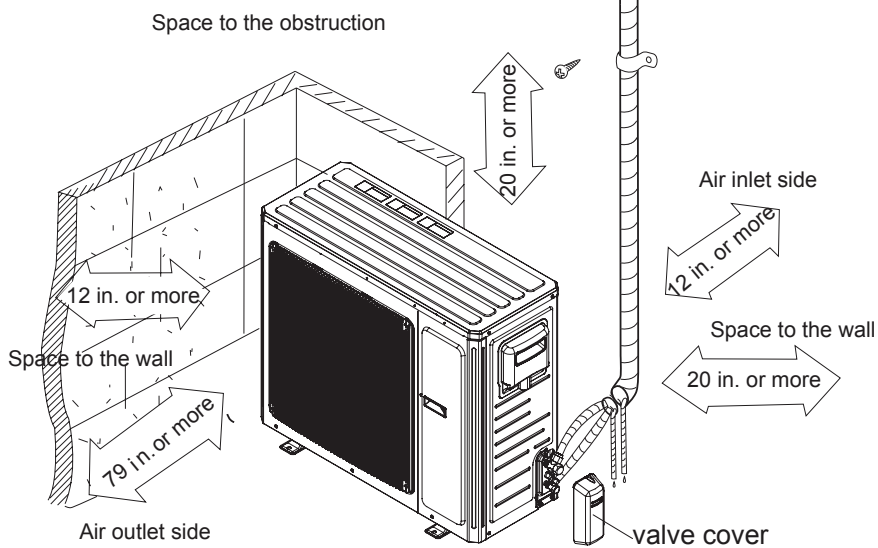
The dimensions in these drawings are rounded according to standard measurement.



Clearance Requirements



The dimensions of the space necessary for correct installation of the appliance including the minimum permissible distances to adjacent structures



NOTE:

The maximum recommended height from the floor to the bottom of the indoor unit is 11.5 ft. (3.5 m).

Performance Data

Cooling Capacity 12,000 (Bthu/h)
M4MCW1712A1N0A / M4TCS1712A11NA

Outdoor		68F DB (20C)		73F DB (23C)		80F DB (27C)		82F DB (28C)	
Coil air		57F WB (14C)		61F WB (16C)		67F WB (19C)		68F WB (20C)	
DB F	DB C	TC*	SHC**	TC	SHC	TC	SHC	TC	SHC
0	-18	4300	3100	5300	3800	6300	4600	6600	4700
5	-15	4900	3600	5900	4300	6900	5100	7200	5300
14	-10	5500	4100	6600	4800	7600	5600	7900	5800
23	-5	5800	4300	6800	5000	7800	5800	8100	6000
32	-0	6100	4500	7100	5300	8100	6000	8400	6200
41	5	6800	5100	7800	5900	8800	6600	9200	6900
50	10	7600	5700	8600	6500	9600	7200	10000	7500
59	15	8100	6100	9100	6900	10100	7700	10500	8000
68	20	8500	6500	9500	7200	10500	8000	10900	8300
77	25	10600	8200	11600	8900	12600	9700	13100	10100
86	30	11700	9100	12700	9900	13700	10700	14300	11100
95	35	10600	8300	11600	9100	12600	9800	13100	10200
104	40	9300	7300	10300	8100	11400	8900	11800	9300
113	45	8600	6800	9600	7600	10600	8400	11000	8700
122	50	7300	5800	8300	6600	9300	7400	9700	7700
129	54	5500	4400	6600	5200	7600	6100	7900	6300

*Total Capacity **Sensible Heat Capacity

Capacities in these performance tables reflect normal operation at the temperatures indicated. See specification tables above for certified values under prescribed test conditions.

Mechanical Specifications

Mini-Split Outdoor Unit

General

This unit is fully charged from the factory for up to 25 feet of piping. This unit is designed to operate at outdoor ambient temperatures as high as 115°F. Cooling capacities with the mini-split air handler shown in the catalog are AHRI certified. The unit is ETL listed for outdoor application.

Unit Casing

The unit casing is constructed of heavy gauge, galvanized steel and painted with a weather-resistant powder paint.

Mini-Split Indoor High Wall

General

The High Wall mounted type air handler shall be completely factory assembled including coil, condensate drain pan, fan motor, washable filter, air purifying filter and electric controls to be used with a wireless remote controller. Unit shall be shipped with a unit mounting plate. Unit shall be matched with an outdoor unit, rated and tested in accordance with AHRI standard. Unit shall be ETL listed.

Unit Casing

Casing shall be provided with knockouts on the right, and left of the unit to facilitate piping and electrical connection on either side of the unit. An electrical service cover shall be provided to permit easy access to the electrical terminal strip.

Refrigerant Controls

Refrigeration system controls include condenser fan and compressor relay. High and low pressure controls are inherent to the compressor. A suction line multi function service valve is standard

Compressor

The compressor features internal over temperature and pressure protection; total dipped hermetic motor windings. Other features include: centrifugal oil pump and low vibration and noise.

Condenser Coil

The coil shall consist of aluminum finned coils brazed to copper tubing. The coil provides air flow resistance and efficient heat transfer. The coil is protected by the casing.

Low Ambient Cooling

Matched ductless products, have cooling capabilities at outdoor ambient temperatures as low as 0° F.

Discharge Airflow and Distribution System

Unit shall have auto swing, dual horizontal blades to optimize the aperture outlet for vertical airflow and air distribution. Blade shall close automatically when the air conditioner is turned off to minimize dust entering the unit. Five-Step preset program on the remote controller shall be available to control the blade angle.

Manually adjusted wide-angle louvers shall be provided to adjust the coverage and direction of airflow.

Controls

Units shall have the capability to be controlled remotely through wall-mounted wired options (**sold separately**) as well as a wireless remote option.

Remote Controller

The unit shall have a wireless infrared remote controller with easy reading digital display panel to start, stop and regulate the air conditioner from a distance.

The wireless controller is included with all units.

Healthy Filters

The unit shall have an active carbon and catechin filter with the unit. The filters need to be cleaned at least once a year.

About Trane and American Standard Heating and Air Conditioning

Trane and American Standard create comfortable, energy efficient indoor environments for residential applications. For more information, please visit www.trane.com or www.americanstandardair.com



The AHRI Certified mark indicates company participation in the AHRI Certification program. For verification of individual certified products, go to ahridirectory.org.

The manufacturer has a policy of continuous data improvement and it reserves the right to change design and specifications without notice. We are committed to using environmentally conscious print practices.