

TAG: _____

SUBMITTAL

17 SERIES

Single Zone Mini-Split Inverter System

M4MHW1718A1N0A
M4THS1718A11NA

Specifications

MODEL - Heat Pump Only	M4MHW1718A / M4THS1718A	
	Cooling	Heating
RATED Volts/PH	208 / 230 / 1	
Frequency (Hz)	60Hz	
Rated Cooling / Heating Capacity (Btu/h):	17400	19100
Minimum Cooling Capacity (@95F) (Btu/h):	3753	-
Maximum Cooling Capacity (@95F) (Btu/h):	19278	-
Minimum Heating Capacity (@47F) (Btu/h):	-	4100
Maximum Heating Capacity (@47F) (Btu/h):	-	22519
Maximum Heating Capacity (@17F) (Btu/h):	-	-
Total Capacity (W) (High/Standard/Low):	5650/5100/1100	6600/5598/1200
Rated Power Input (W)	1820	1866
Nominal Input Current (A)	8.1	8.2
SEER / HSPF	16.5	9.0
Air Flow Volume (CFM) ②	471/436/406/374/335.445/311.905/276.595	3.8
Dehumidifying Volume (pt./h)	9.55	3.00
EER (Btu/h)/W / COP		

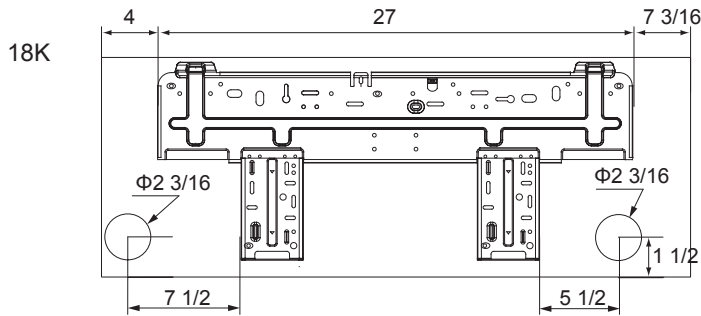
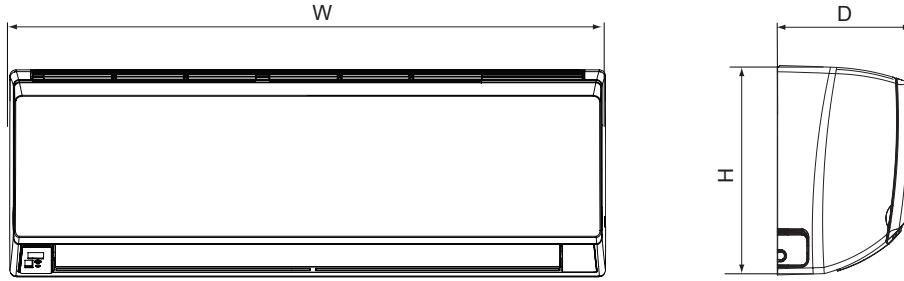
Indoor Unit	M4MHW1718A1N0	
Fan Motor Speed (r/min)	1350/1280/1200/1130/ 1050/980/900	1350/1280/1200/1130/ 1050/980/900
Fan Motor RLA(A)	0.30	
Evaporator	Aluminum Fin-Copper Tube	
Pipe Diameter (inch)	2/7	
Row Fin Gap (inch)	2 - 1/18	
Coil length (L) x depth (D) x coil width (W) (inch)	28 1/7 x 1 x 12	
Output of Swing Motor (W)	2.5	
Fuse (A)	3.15	
Sound Power Level dB (A) ②	57/55/52/51/49/47/44	
Sound PRESSURE Level dB (A) ① ②	47/45/42/41/39/37/34	
Uncrated Dimension (W/H/D) (inch)	38 12/64 x 11 52/64 x 8 55/64	
Crated Dimension of Package (L/W/H) (inch)	40 23/64 x 14 56/64 x 11 62/64	
Net Weight /Gross Weight (lbs)	29.8/35.3	

Outdoor Unit	M4THS1718A11N	
Compressor Type	Rotary	
Compressor Oil	FW68DA or equivalent	
L.R.A. (A)	25.0	
Compressor RLA(A)	9.35	
Compressor Power Input(W)	1295	
Throttling Method	Capillary	
Working Temp Range (°F)	0 - 115	19.4 ~ 75.2
Condenser	Aluminum Fin-Copper Tube	
Pipe Diameter (inch)	2/7	
Row Fin Gap (inch)	2-1/18	
Coil length (l) x depth (D) x coil width (W) (inch)	30.71 x 0.91 x 20.24	
Fan Motor Speed (rpm)	900	
Output of Fan Motor (W)	30	
Fan Motor RLA (A)	0.5	
Air Flow Volume of Outdoor Unit (CFM)	2000	
Fan Diameter (inch)	16.54	
Defrosting Method	-	
Sound Power Level dB (A)	67	
Sound PRESSURE Level dB (A) ①	57	
Uncrated Dimension (W/H/D) (inch)	31 37/64 x 21 54/64 x 13 50/64	
Crated Dimension of Package (W/L/H) (inch)	34 14/64 x 15 35/64 x 23 25/64	
Net Weight/Gross Weight (lbs)	69.5/74.97	
Refrigerant Charge (oz)	42.4	
MCA	14	
MOP	20	

Connection Pipe	
Gas additional charge(oz/ft)	0.17
Outer Diameter Liquid Pipe (inch)	1/4
Outer Diameter Gas Pipe (inch)	1/2
Max Height Distance (ft)	32.8
Max Length Distance (ft)	82

① Sound PRESSURE Level @ 3.3 ft. dB(A)
② At noted fan motor speeds

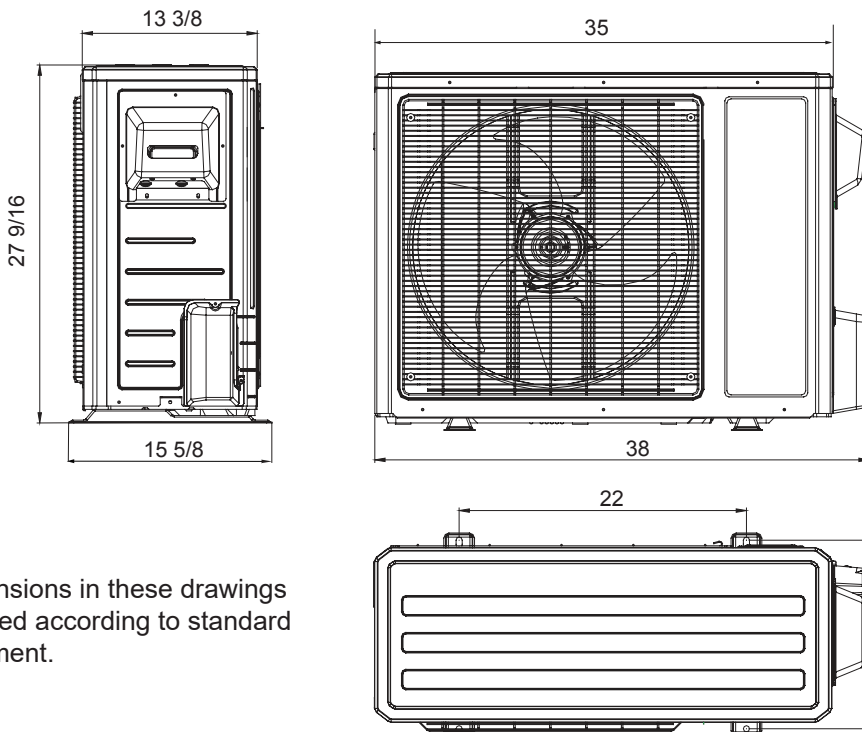
Unit Dimensions



The dimensions in these drawings are rounded according to standard measurement.

Unit: inch

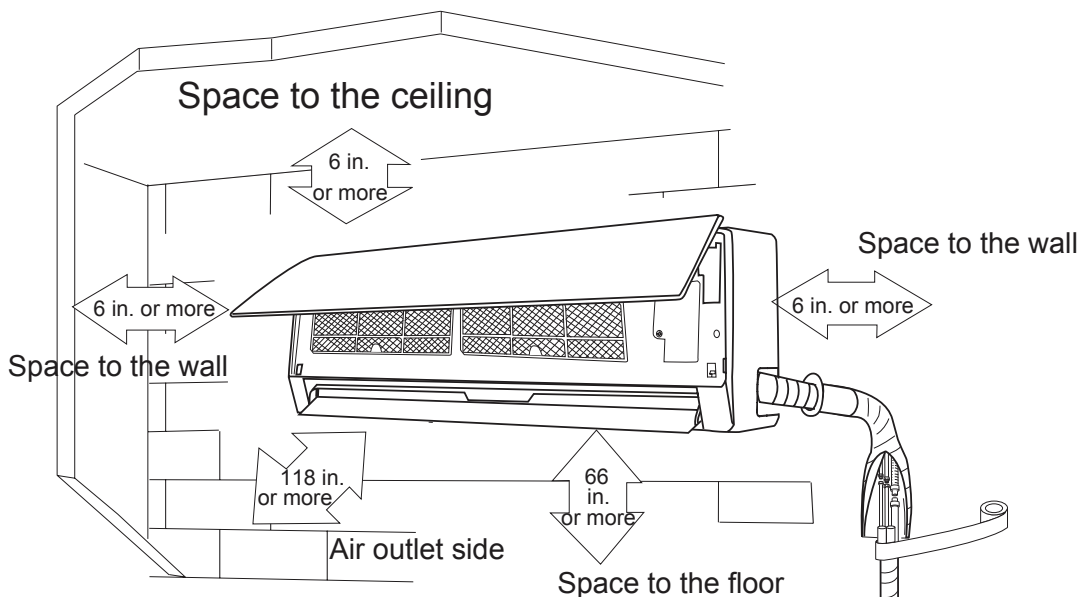
Models	W	H	D
18K	38 1/4	11 13/16	8 7/8



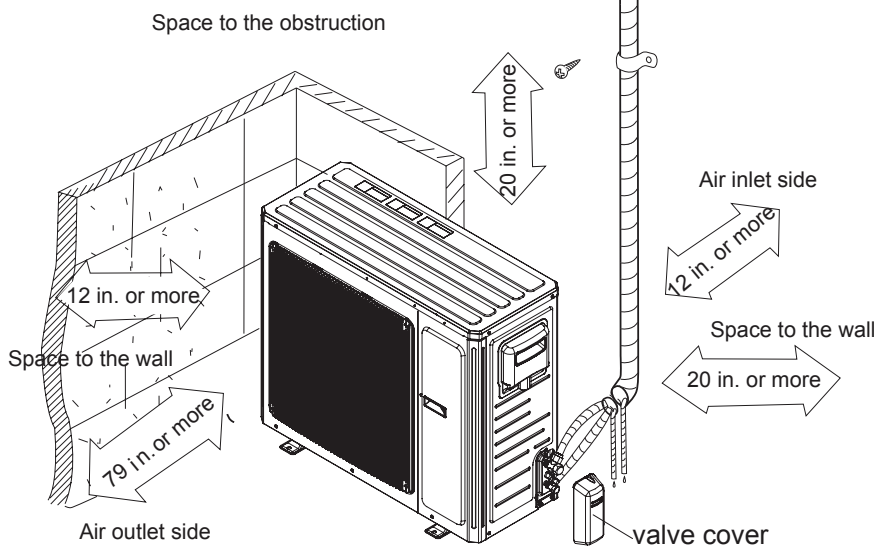
The dimensions in these drawings are rounded according to standard measurement.

Unit: inch

Clearance Requirements



The dimensions of the space necessary for correct installation of the appliance including the minimum permissible distances to adjacent structures



NOTE:

The maximum recommended height from the floor to the bottom of the indoor unit is 11.5 ft. (3.5 m).

Performance Data

M4MHW1718A1N0 / M4THS1718A11N - Cooling Mode Performance Data

Outdoor Ambient Air Temperature		Indoor Entering Air Temperature (Dry Bulb/Wet Bulb)							
		68F DB (20C)		73F DB (23C)		80F DB (27C)		82F DB (28C)	
Coil air		57F WB (14C)		61F WB (16C)		67F WB (19C)		68F WB (20C)	
DB F	DB C	TC*	SHC**	TC	SHC	TC	SHC	TC	SHC
0	-18	9900	7700	10200	7900	10600	8300	10800	8400
5	-15	10400	8100	10700	8300	11100	8700	11400	8900
14	-10	10800	8400	11100	8700	11600	9000	11800	9200
23	-5	11300	8800	11600	9000	12100	9400	12300	9600
32	-0	11700	8900	12100	9200	12600	9600	12800	9800
41	5	12200	9300	12600	9600	13100	10000	13400	10200
50	10	12700	9700	13100	10000	13700	10400	13900	10600
59	15	13100	9700	13500	10000	14100	10400	14400	10600
68	20	16400	12100	16900	12500	17600	13000	17900	13300
77	25	17100	12600	17600	13000	18300	13600	18700	13800
86	30	17600	12500	18100	12900	18900	13400	19300	13700
95	35	18000	12700	18500	13100	19300	13700	19700	13900
104	40	17200	12300	17800	12700	18500	13300	18900	13500
113	45	14700	10800	15200	11200	15800	11600	16100	11900
122	50	10300	7600	10600	7800	11100	8100	11300	8300
129	54	9300	6800	9600	7000	10000	7300	10200	7500

*Total Capacity **Sensible Heat Capacity

M4MHW1718A1N0 / M4THS1718A11N - Heating Mode Performance Data

Outdoor Ambient Air Temperature		Indoor Entering Air Temperature (Dry Bulb/Wet Bulb)							
		68F DB (20C)		73F DB (23C)		80F DB (27C)		82F DB (28C)	
Coil air		57F WB (14C)		61F WB (16C)		67F WB (19C)		68F WB (20C)	
DB F	DB C	TC*	TC	TC	TC	TC	TC	TC	TC
-13	-25	6000	5800	5500	5400				
-4	-20	9900	9600	9100	8800				
0	-18	11300	11000	10300	10000				
6	-14	11800	11400	10700	10400				
10	-12	13200	12800	12000	11600				
16	-9	14500	14000	13200	12800				
19	-7	15200	14800	13900	13500				
24	-4	17200	16700	15700	15200				
32	0	19100	18600	17500	16900				
41	5	21200	20600	19400	18800				
43	6	21800	21000	19800	19200				
47	8	22400	21800	20400	19800				
53	12	19000	18500	17300	16800				
59	15	18600	18100	17000	16500				
64	18	15800	15400	14400	14000				
70	21	12700	12300	11600	11200				
75	24	10100	9800	9200	9000				
78	26	8100	7900	7400	7200				

*Total Capacity

Capacities in these performance tables reflect normal operation at the temperatures indicated. See specification tables for certified values under prescribed test conditions.

Mechanical Specifications

Mini-Split Outdoor Unit

General

This unit is fully charged from the factory for up to 25 feet of piping. This unit is designed to operate at outdoor ambient temperatures as high as 115°F. Cooling capacities with the mini-split air handler shown in the catalog are AHRI certified. The unit is ETL listed for outdoor application.

Unit Casing

The unit casing is constructed of heavy gauge, galvanized steel and painted with a weather-resistant powder paint.

Refrigerant Controls

Refrigeration system controls include condenser fan and compressor relay. High and low pressure controls are inherent to the compressor. A suction line multi function service valve is standard

Compressor

The compressor features internal over temperature and pressure protection; total dipped hermetic motor windings. Other features include: centrifugal oil pump and low vibration and noise.

Condenser Coil

The coil shall consist of aluminum finned coils brazed to copper tubing. The coil provides air flow resistance and efficient heat transfer. The coil is protected by the casing.

Low Ambient Cooling

Matched ductless products, have cooling capabilities at outdoor ambient temperatures as low as 0° F.

Mini-Split Indoor High Wall

General

The High Wall mounted type air handler shall be completely factory assembled including coil, condensate drain pan, fan motor, washable filter, air purifying filter and electric controls to be used with a wireless remote controller. Unit shall be shipped with a unit mounting plate. Unit shall be matched with an outdoor unit, rated and tested in accordance with AHRI standard. Unit shall be ETL listed.

Unit Casing

Casing shall be provided with knockouts on the right, and left of the unit to facilitate piping and electrical connection on either side of the unit. An electrical service cover shall be provided to permit easy access to the electrical terminal strip.

Discharge Airflow and Distribution System

Unit shall have auto swing, dual horizontal blades to optimize the aperture outlet for vertical airflow and air distribution. Blade shall close automatically when the air conditioner is turned off to minimize dust entering the unit. Five-Step preset program on the remote controller shall be available to control the blade angle.

Manually adjusted wide-angle louvers shall be provided to adjust the coverage and direction of airflow.

Controls

Units shall have the capability to be controlled remotely through wall-mounted wired options (**sold separately**) as well as a wireless remote option.

Remote Controller

The unit shall have a wireless infrared remote controller with easy reading digital display panel to start, stop and regulate the air conditioner from a distance.

The wireless controller is included with all units.

Healthy Filters

The unit shall have an active carbon and catechin filter with the unit. The filters need to be cleaned at least once a year.

About Trane and American Standard Heating and Air Conditioning

Trane and American Standard create comfortable, energy efficient indoor environments for residential applications. For more information, please visit www.trane.com or www.americanstandardair.com



The AHRI Certified mark indicates company participation in the AHRI Certification program. For verification of individual certified products, go to ahridirectory.org.

The manufacturer has a policy of continuous data improvement and it reserves the right to change design and specifications without notice. We are committed to using environmentally conscious print practices.

M4MHW1718A-SUB-1B-EN 05 Aug 2022

Supersedes M4MHW1718A-SUB-1A-EN 03 Jun 2022

© 2022