

TAG: \_\_\_\_\_

## SUBMITTAL

### 15 SERIES

### Multi Zone Mini-Split Inverter System

### M4THM1524A13NB

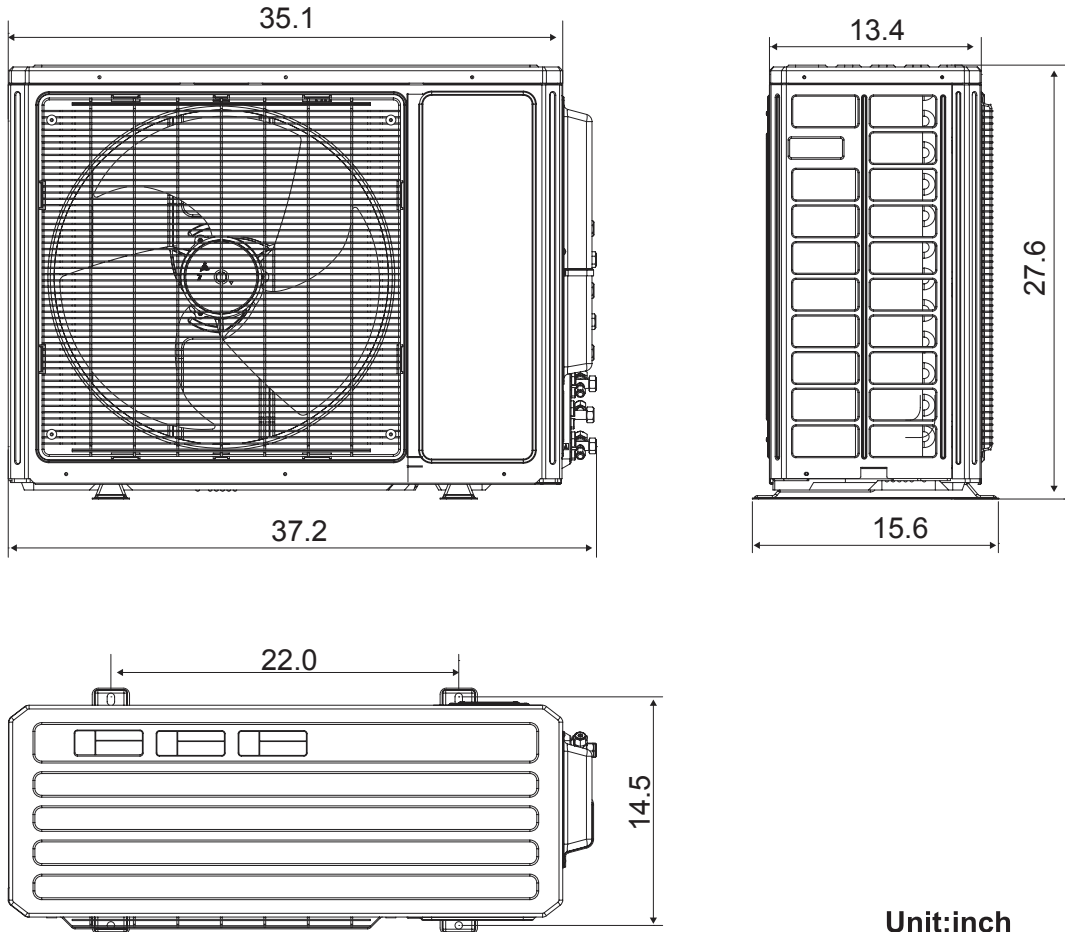
### Specifications

<b>MODEL - Heat Pump Only</b>	<b>M4THM1524A13NB</b>
RATED Volts/PH Frequency (Hz)	208 / 230 / 1 60Hz
<b>Outdoor Unit</b>	<b>M4THM1524A13NB</b>
Rated Cooling Capacity	26000
Cooling Capacity Range (Btu/h)	7500 - 33000
Rated Heating Capacity	29000
Heating Capacity Range @ 47 F (Btu/h)	7500 - 35000
Max. Heating Capacity @ 17 F (Btu/h)	15000
Max Heating Capacity @ 5 F (Btu/h)	12100
SEER / HSPF	15.0 / 8.2
EER	8.0
Compressor Type	Inverter Rotary
L.R.A. (A)	45
Compressor RLA(A)	14.69
Compressor Power Input(W)	2200
Throttling Method	EEV
Working Temp Range (°F) Cooling/Heating	0 ~ 118                      5 ~ 75
Condenser	Aluminum Fin-Copper Tube
Pipe Diameter (inch)	3/8
Row Fin Gap (inch)	2 - 0.055
Coil length (L) x height (H) x coil width (W) (inch)	35.0 x 1.7 x 25.0
Fan Motor Speed (rpm)	690 / 600 / 500
Output of Fan Motor (W)	60
Fan Motor RLA (A)	0.59
Fuse (A)	30
Air Flow Volume of Outdoor Unit (CFM)	1530
Fan Diameter (inch)	20.5
Defrosting Method	Automatic Defrosting
Sound Power Level dB (A)	66
Sound PRESSURE Level dB (A)①	56
Uncrated Dimension (W/D/H) (inch)	37.2 x 15.6 x 27.6
Crated Dimension of Package (L/W/H) (inch)	40.5 x 18.0 x 29.5
Net Weight /Gross Weight (lbs)	134.5 / 145.5
Refrigerant Charge (oz)	77.62
MCA	20.0
M.O.P	30.0
<b>Connection Pipe</b>	
Outer Diameter Liquid Pipe (inch)	1/4
Outer Diameter Gas Pipe (inch)	3/8
Outer Diameter Liquid Pipe (inch)	1/4
Outer Diameter Gas Pipe (inch)	3/8
Outer Diameter Liquid Pipe (inch)	1/4
Outer Diameter Gas Pipe (inch)	3/8
Outer Diameter Liquid Pipe (inch)	/
Outer Diameter Gas Pipe (inch)	/
Outer Diameter Liquid Pipe (inch)	/
Outer Diameter Gas Pipe (inch)	/
Max Height Distance (ft)	33
Max Length Distance (ft) - Single Unit Each	65
Max Length Distance (ft) - Multiple Units Total	230

① Sound PRESSURE Level @ 3.3 ft. dB(A)

# Outdoor Unit

24K-30K Unit



Unit:inch

## NOTES:

- The refrigerant charge mentioned in the technical data does not include additional charge required for the indoor unit(s) and the refrigerant pipe.
- The amount of the additional refrigerant charge depends on the length of the liquid refrigerant pipe installed and the number of indoor units connected.
- Record the additional refrigerant charge for future maintenance.

## Calculation of the Additional Refrigerant Charge:

Unit: Feet

	M4THM1518	M4THM1524	M4THM1530	M4THM1536	M4THM1542
Maximum total length	75	230	230	230	260
Maximum length to single IDU	33	65	65	65	80
Minimum distance to single IDU	10	10	10	10	10
Maximum ODU/IDU height difference	16	33	33	50	50
Maximum IDU/IDU height difference	16	25	25	25	25
Maximum w/o adding charge	66	100	130	130	165
Minimum w/o removing charge	33	50	65	80	100
Amount of R410-A +/- (oz/ft)	0.22	0.22	0.22	0.24	0.24

## Ductless Multi-Zone Approved Combinations

Indoor Unit Combinations with Associated Nominal Capacity (kBTUH)										
<b>Outdoor Unit</b>	<b>Two Units</b>									
M4THM1518A12N 18,000 BTUH	9+9	12+12								
	9+12									
<b>Outdoor Unit</b>	<b>Two Units</b>		<b>Three Units</b>							
M4THM1524A13N 24,000 BTUH	9+9	9+12	9+9+9	9+12+12	12+12+12					
	9+18	12+12	9+9+12	9+9+18						
	12+18	18+18								
<b>Outdoor Unit</b>	<b>Two Units</b>		<b>Three Units</b>			<b>Four Units</b>				
M4THM1530A14N 30,000 BTUH	9+9	9+12	9+9+9	9+9+12	9+9+18	9+9+9+9	9+9+9+12	9+9+12+12		
	9+18	12+12	9+12+12	9+12+18	12+12+12					
	12+18	18+18	12+12+18							
<b>Outdoor Unit</b>	<b>Two Units</b>		<b>Three Units</b>			<b>Four Units</b>				
M4THM1536A14N 36,000 BTUH	9+9	12+18	9+9+9	9+12+18	12+12+18	9+9+9+9	9+9+12+18			
	9+12	12+24	9+9+12	9+12+24	12+12+24	9+9+9+12	9+9+18+18			
	9+18	18+18	9+9+18	9+18+18	12+18+18	9+9+9+18	9+12+12+12			
	9+24	18+24	9+9+24	9+18+24	18+18+18	9+9+9+24	9+12+12+18			
	12+12	24+24	9+12+12	12+12+12		9+9+12+12	12+12+12+12			
<b>Outdoor Unit</b>	<b>Two Units</b>		<b>Three Units</b>			<b>Four Units</b>			<b>Five Units</b>	
M4THM1542A15N 42,000 BTUH	9+9	12+18	9+9+9	9+12+24	12+12+24	9+9+9+9	9+9+12+24	9+12+18+18	9+9+9+9+9	9+9+9+18+18
	9+12	12+24	9+9+12	9+18+18	12+18+18	9+9+9+12	9+9+18+18	9+18+18+18	9+9+9+9+12	9+9+12+12+12
	9+18	18+18	9+9+18	9+18+24	12+18+24	9+9+9+18	9+9+18+24	12+12+12+12	9+9+9+9+18	9+9+12+12+18
	9+24	18+24	9+9+24	9+24+24	12+24+24	9+9+9+24	9+12+12+12	12+12+12+18	9+9+9+9+24	9+12+12+12+12
	12+12	24+24	9+12+12	12+12+12	18+18+18	9+9+12+12	9+12+12+18	12+12+12+24	9+9+9+12+12	9+12+12+12+18
			9+12+18	12+12+18	18+18+24	9+9+12+18	9+12+12+24	12+12+18+18	9+9+9+12+18	12+12+12+12+12

## Ductless Multi-Zone Quick Reference

Multi-Zone Heat Pumps Outdoor				
18,000 BTUH	24,000 BTUH	30,000 BTUH	36,000 BTUH	42,000 BTUH
M4THM1518A12N	M4THM1524A13N	M4THM1530A14N	M4THM1536A14N	M4THM1542A15N

Multi-Zone Heat Pumps Indoor Options				
	9,000 BTUH	12,000 BTUH	18,000 BTUH	24,000 BTUH
High-Wall Mounted	M4MHW1509A1N	M4MHW1512A1N	M4MHW1518A1N	M4MHW1524A1N

## PERFORMANCE DATA

### M4THM1524A1 - Cooling Mode Performance Data

Outdoor Ambient Air Temperature (°F)	Indoor Entering Air Temperature (Dry Bulb/Wet Bulb)							
	68/57°F		73/61°F		80/67°F		82/68°F	
	TC*	SHC**	TC	SHC	TC	SHC	TC	SHC
65	22700	17800	24200	18900	25600	20100	27500	21600
70	22200	17400	23600	18500	25400	19900	27200	21300
75	21700	17100	23100	18100	25100	19700	26900	21100
80	21400	16800	22700	17800	24800	19500	26600	20900
85	21100	16500	22500	17600	24500	19300	26300	20600
90	20800	16300	22200	17400	24300	19000	26200	20600
95	20500	16100	21900	17200	24000	18800	26200	20600
100	20100	15800	21500	16900	23800	18700	25800	20300
105	19700	15500	21100	16600	23600	18500	25500	20000
110	19400	15200	20900	16400	23400	18300	25200	19800
115	19100	15000	20600	16100	23100	18100	24900	19600

\*Total Capacity \*\*Sensible Heat Capacity

### M4THM1524A1 - Heating Mode Performance Data

Outdoor Ambient Air Temperature (°F)	Indoor Entering Air Temperature			
	68°F	73°F	80°F	82°F
	TC*	TC	TC	TC
0	20400	20100	19700	19200
5	21900	21500	21100	20600
10	22800	22400	22000	21500
15	23600	23200	22700	22200
20	24400	24000	23500	23000
25	25200	24900	24400	23900
30	26100	25800	25400	24900
35	26700	26400	26000	25600
40	27200	26800	26500	26000
45	28600	28200	27700	27100
50	29500	29000	28400	27800
55	29900	29400	28800	28100
60	30300	29800	29200	28500

\*Total Capacity

# Mechanical Specifications

## Multi-Zone Outdoor Unit

### General

This unit comes pre-charged with refrigerant from the factory. It is designed to operate at outdoor ambient temperatures as high as 118 F. Cooling capacities with its associated indoor units shown in the catalog are AHRI certified. It is also ETL listed for outdoor application.

### Unit Casing

The unit casing is constructed of heavy gauge, galvanized steel and painted with a weather-resistant powder paint.

### Refrigerant Controls

Refrigeration system controls include a condenser fan and compressor relay. High and low pressure controls are inherent to the compressor. A suction line multi function service valve is standard

### Compressor

The compressor features internal over temperature and over pressure protection; it also has dipped hermetic motor windings. Other features include: a centrifugal oil pump and low vibration and noise.

### Condenser Coil

The coil consists of aluminum finned coils brazed to copper tubing. It provides air flow resistance, efficient heat transfer, and is protected by the casing.

### Low Ambient Cooling

Matched ductless products have a cooling capability to 0° F.

## Optional Equipment

### Optional outdoor unit accessories

Model Number	Description	M4THM15 Multi-Zone up to 15 SEER
TAYREFLN050	Lineset Kit 1/4x3/8 - 25'	✓
TAYREFLN055	Lineset Kit 1/4x3/8 - 35'	✓
TAYREFLN060	Lineset Kit 1/4x3/8 - 50'	✓
TAYREFLN560	Lineset Kit 1/4x1/2 - 25'	✓
TAYREFLN565	Lineset Kit 1/4x1/2 - 35'	✓
TAYREFLN570	Lineset Kit 1/4x1/2 - 50'	✓
TAYREFLN155	Lineset Kit 1/4x5/8 - 25'	✓
TAYREFLN160	Lineset Kit 1/4x5/8 - 35'	✓
TAYREFLN165	Lineset Kit 1/4x5/8 - 50'	✓

### About Trane and American Standard Heating and Air Conditioning

Trane and American Standard create comfortable, energy efficient indoor environments for residential applications. For more information, please visit [www.trane.com](http://www.trane.com) or [www.americanstandardair.com](http://www.americanstandardair.com)



The AHRI Certified mark indicates company participation in the AHRI Certification program. For verification of individual certified products, go to [ahridirectory.org](http://ahridirectory.org).

The manufacturer has a policy of continuous data improvement and it reserves the right to change design and specifications without notice. We are committed to using environmentally conscious print practices.